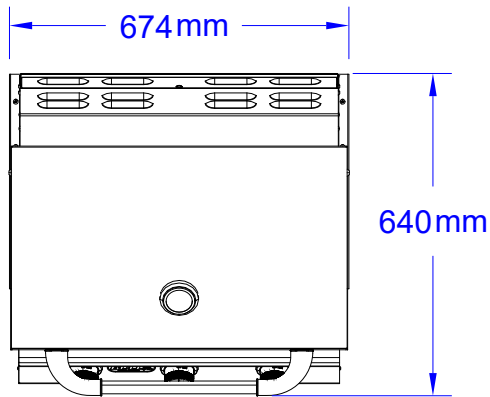
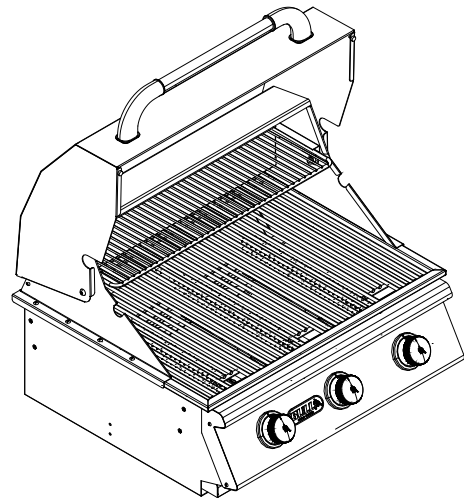




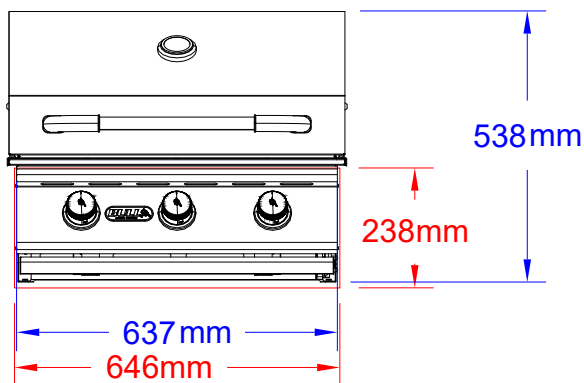
ITEMS: #69008CE LP, #69009CE NG  
STEER GRILL HEAD



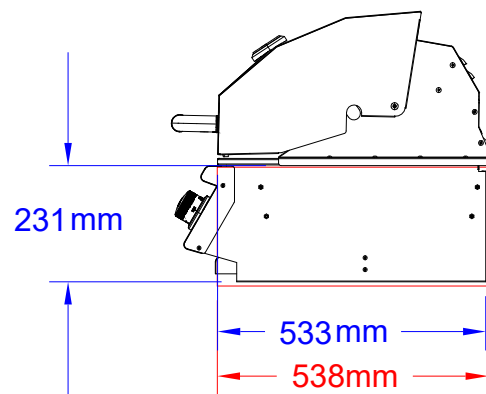
Top View



Isometric View



Front View



Side View

SPEC SHEET NOTES:

1. **CUTOUT DIMENSIONS: 646L X 538D X 238H**
2. SCALE: 1 : 15 ( Printer page scaling none, do not use fit to printable area option )
3. REVISION: 08/2018